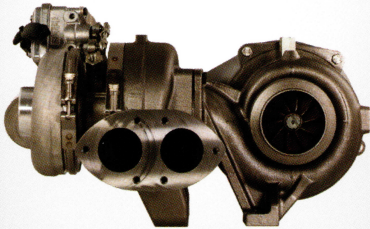


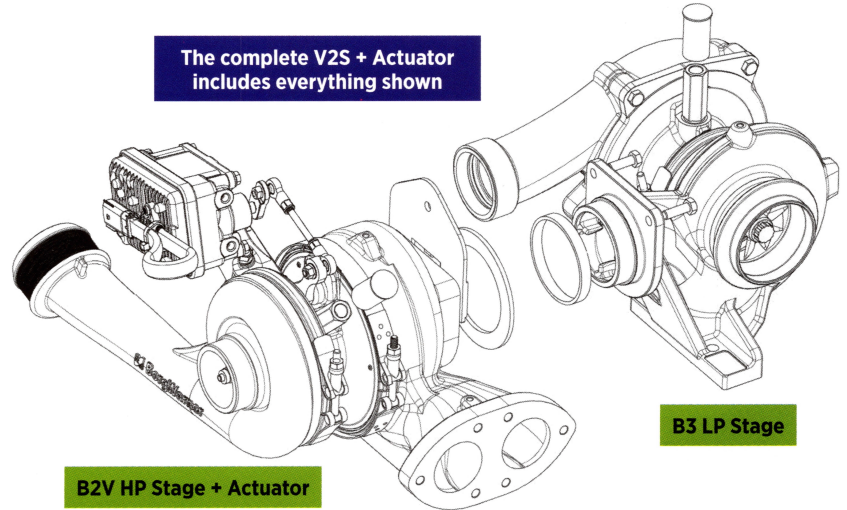
V2S Turbochargers

ORIGINAL EQUIPMENT FOR YOUR ORIGINAL EQUIPMENT

Use BorgWarner turbochargers that have been specifically developed, tested and approved for peak performance and vehicle uptime.



The complete V2S + Actuator includes everything shown



B2V HP Stage + Actuator

B3 LP Stage

Features & Benefits

- Manufactured for maximum durability to get the most out of your investment
- High-speed core assembly testing to guarantee optimum product reliability
- Reman units that incorporate the latest design upgrades are available off the shelf to reduce your downtime at a fraction of the new cost
- One year, 100,000 mile warranty



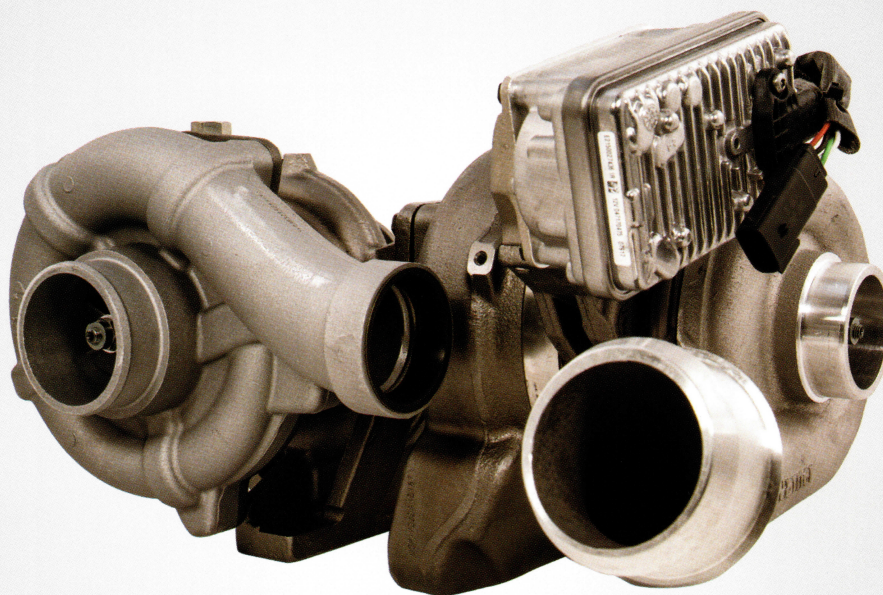
CROSS REFERENCE

Reference #	Service Turbo #	Model
1848300C92	479514	complete V2S + actuator
1848300C93	479514	
1848300C94	479514	
1848300C95	479514	
1848300C96	479514	
1848300C97	479514	
1848300C98	479514	
8C3Z-6K682-CRM	479514	B2V HP stage + actuator
1848303C1	479515	
1848303C2	479515	
1848303C3	479515	
4307200R1	479515	
8C3Z-6K682-B	479515	
8C3Z-6K682-BARM	479515	
8C3Z-6K682-DARM	479515	B3 LP stage
1848301C1	479523	
4307201R1	479523	
8C3Z-6K682-A	479523	
8C3Z-6K682-AARM	479523	

Note: All numbers, names and descriptions herein are used for reference purpose only and do not imply that they are the product of the original manufacturer.

For Additional BorgWarner Turbo Systems Information:
turbos.borgwarner.com





Combustion

Explore our Technologies

V2S Turbochargers

for Ford 6.4 liter Power Stroke engines

turbos.borgwarner.com

 **BorgWarner**